

# Assembly instruction EASYQUICK EPS 7-080

A. Check packing contents subject to the accompanying parts list.

B. Necessary tools:

- Drilling machine with drill
- Cordless screwdriver with torx bit TX 30
- For marking: water-level, yardstick, pin and drill material

C. Plump the upper wall brackets (1) horizontally and fix each with 4 dowels UX8 and 4 torx screws 5,0x60mm. Maximum distance between two wall brackets approx. 120 cm. For outdoor using and large formats the dimensions of the specified distance of the EASYQUICK wall brackets have to be reduced to each other. The distance has to be selected on processor's own authority.

D. Slide-in the upper keder (2) of the fabric (3) into the upper keder rail (4). Use the lower channel for visible profile (see illustration) or the upper channel if you want to cover the rail.

E. Push all upper connecting pieces (5) into the rear channel of the upper keder rail (4).

F. Insert all upper connecting pieces (5) into the wall bracket (1). Therefore press the locking backwards, in order to be able to slide-in the connecting pieces (5) (position as per illustration).

G. Slide-in the lower keder rail (7) over the lower keder (6) of the fabric (3).

H. According to description E. insert all lower connecting pieces (8) into the rear channel of the lower keder (7).

I. Hold the wall brackets (9) next to the connecting pieces (8) and mark the position of the drill holes of the lower wall brackets (9).

J. Fasten the lower wall brackets (9) with 4 dowels UX8 and 4 torx screws 5,0x60mm.

K. Push the lower connecting pieces (8) into the lower wall brackets (9). Therefore press the locking backwards, in order to be able to slide-in the connecting pieces (9).

L. Tension the fabrics by pressing resp. pulling on the upper (4) and/or lower keder rail (7). The connecting pieces (5) and (8) may be pulled out maximally 35mm off the wall brackets (1) and (9).

We guarantee the function of EASYQUICK only by strict observance of this assembly instruction. For the perfect and secure attachment of the EASYQUICK wall brackets on different under-grounds we assume no liability at all.

Packaging content:



Wall bracketing with locking



connecting piece

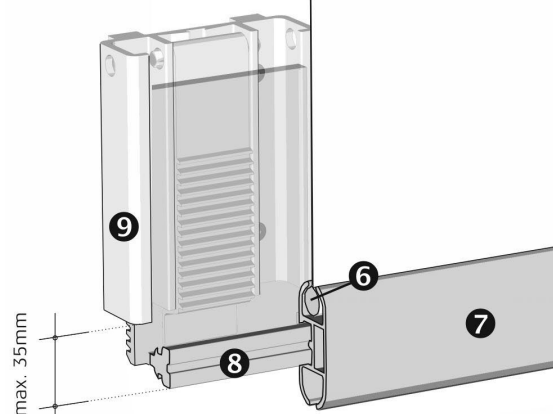
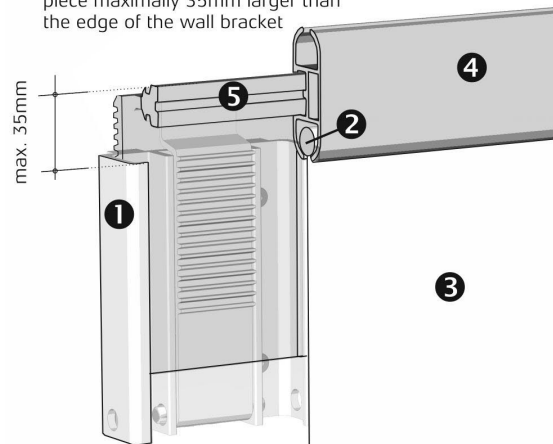


4 x torx screws 5,0 x 60mm



4 x dowels UX8

Pull out the top of the connecting piece maximally 35mm larger than the edge of the wall bracket



**EPS**  
SYSTEMS

EPS Systems KG  
Obere Leimbach 6 · 57074 Siegen/Germany  
Fon +49 (0) 271-338829-00  
www.eps-systems.de · info@eps-systems.de