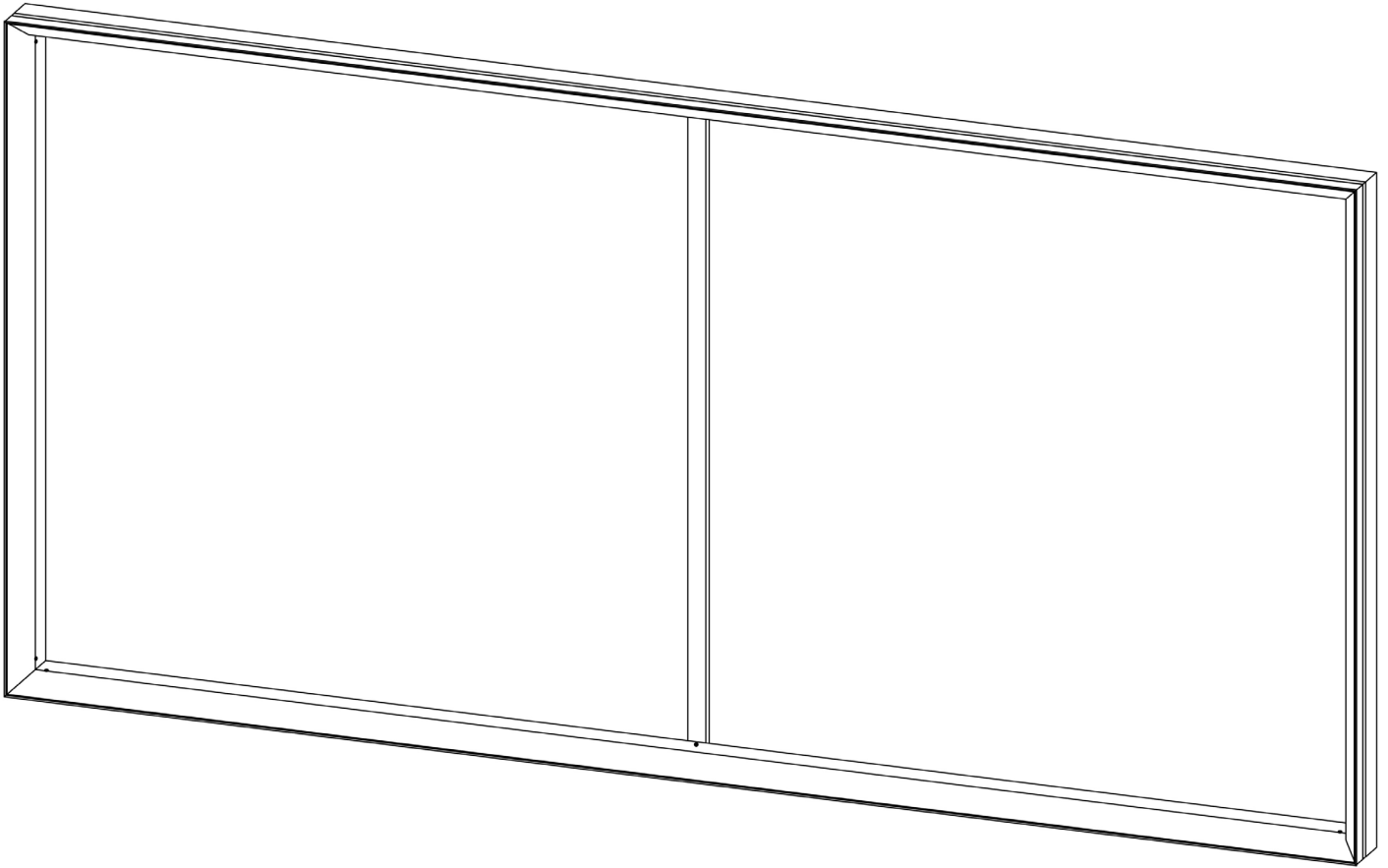
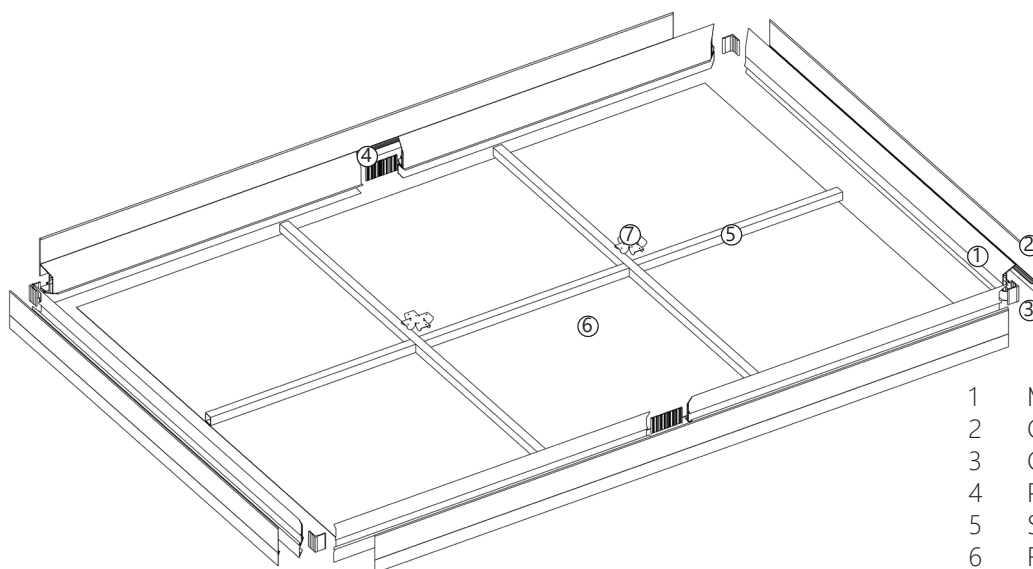


Assembly recommendation EPS.RAIL



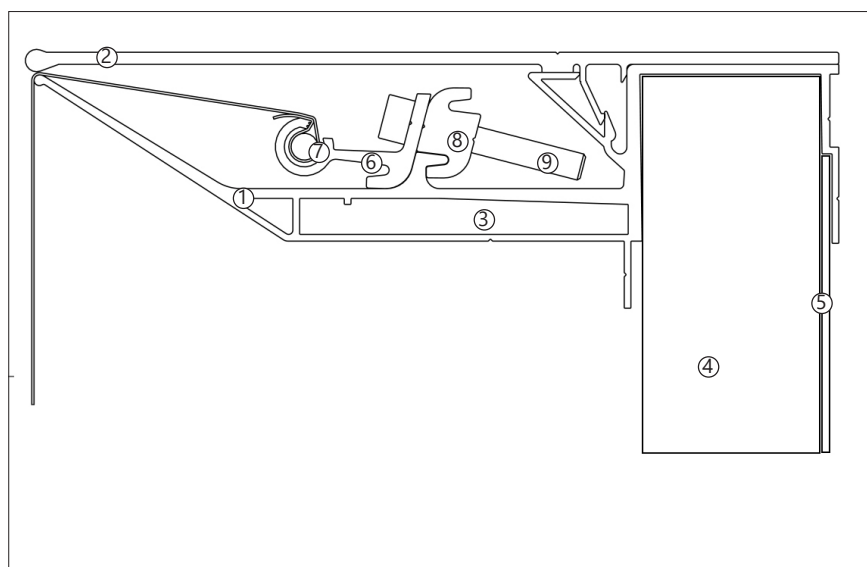
Valid for Main body
profile EPS 2-001

1 RAIL Box S-180



- 1 Main body profile
- 2 Cover profile
- 3 Corner angle
- 4 Profile joint
- 5 Stiffening
- 6 Rear wall
- 7 Cross connector (optional)

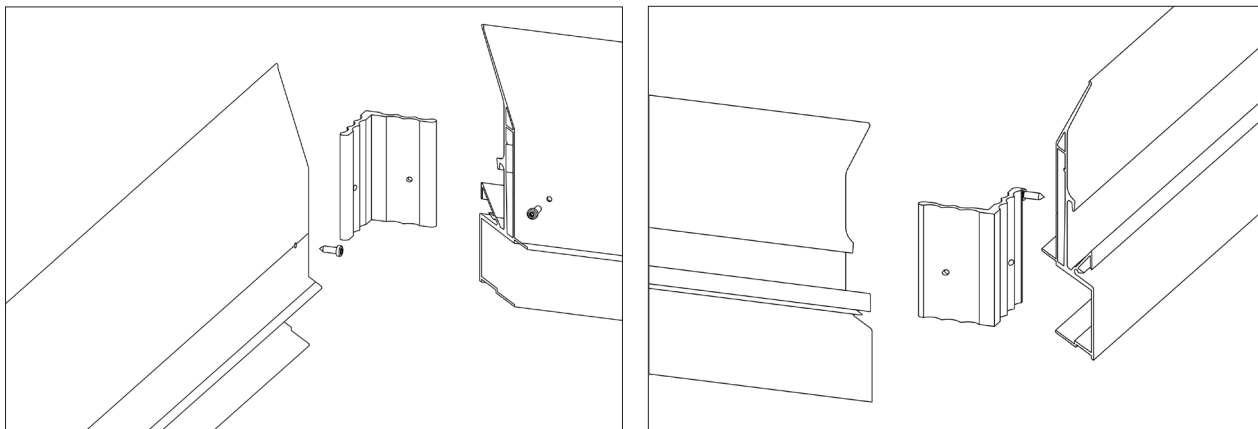
2 Cross-section profile with all components



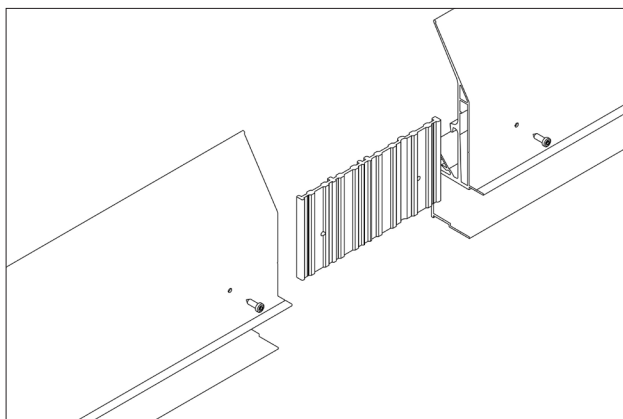
- 1 Main body profile
- 2 Cover profile
- 3 Corner angle/Joiner plate
- 4 Stiffening
- 5 Rear wall
- 6 Keder clamping profile
- 7 Keder
- 8 Clamping block
- 9 Clamping screw

3 Corner connection

One corner connector is required for each corner, this must be pre-drilled. Riveting or welding also possible.

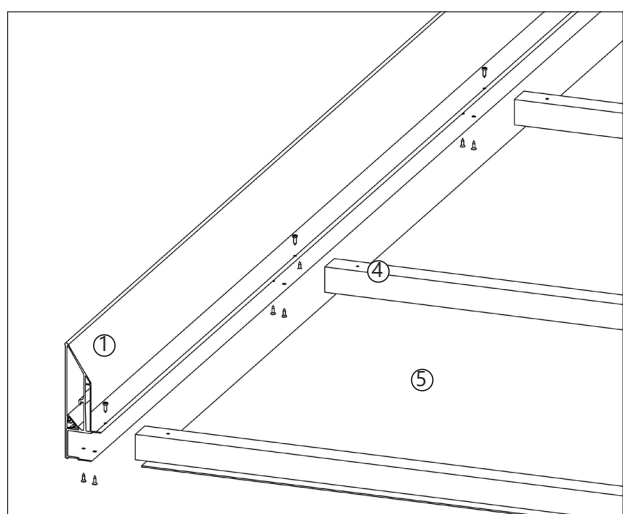


4 Profile joint



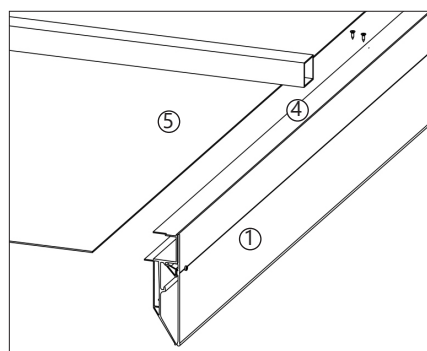
1 piece joiner plate is required per joint. This must be pre-drilled and screwed. Riveting or welding is also possible.

5.1 Rear wall behind stiffening Pos. 1



Screwing front view

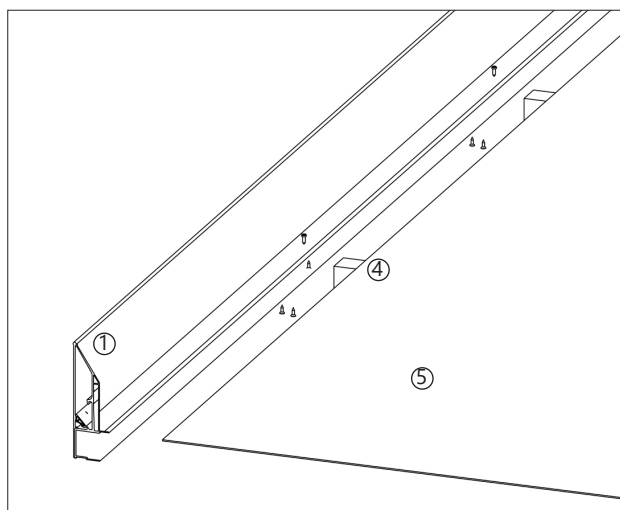
- 1 Main body profile
- 4 Stiffening
- 5 Rear wall



Screwing back view

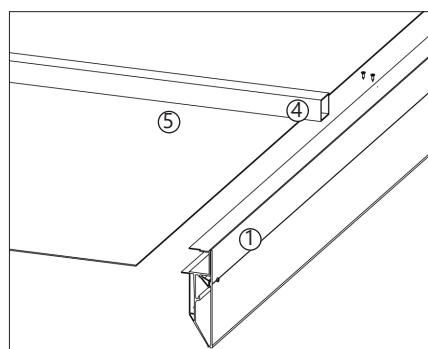
When using the rear wall in Pos. 1, cut it 50-60 mm smaller than the frame format and insert it into the intended slot. Insert the reinforcement and fix it to the profile. Also fix the rear wall to the profile (1) and stiffening (5). Place and fix the rear wall joints at the height of the stiffening tubes.

5.2 Rear wall in front of stiffening Pos. 2



Screwing front view

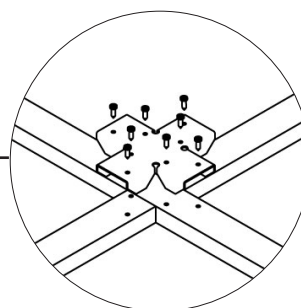
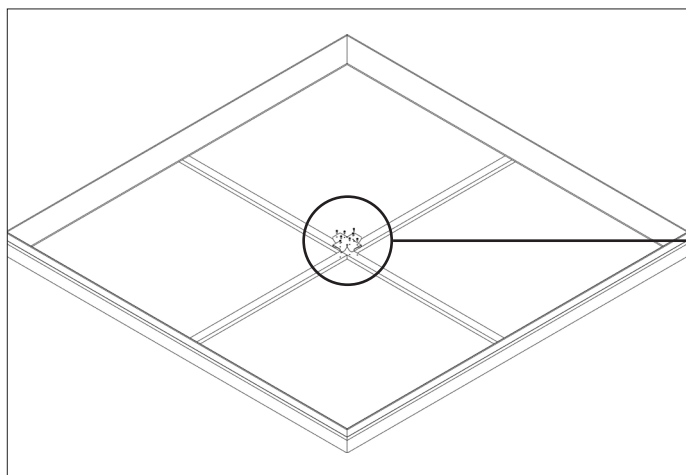
- 1 Main body profile
- 4 Stiffening
- 5 Rear wall



Screwing back view

When using the rear wall in Pos. 2, cut it 90-100 mm smaller than the frame format and insert it into the intended slot. Insert the reinforcement and fix it to the profile. Also fix the rear wall to the profile (1) and stiffening (5). Place and fix the rear wall joints at the height of the stiffening tubes.

6 Mounting cross

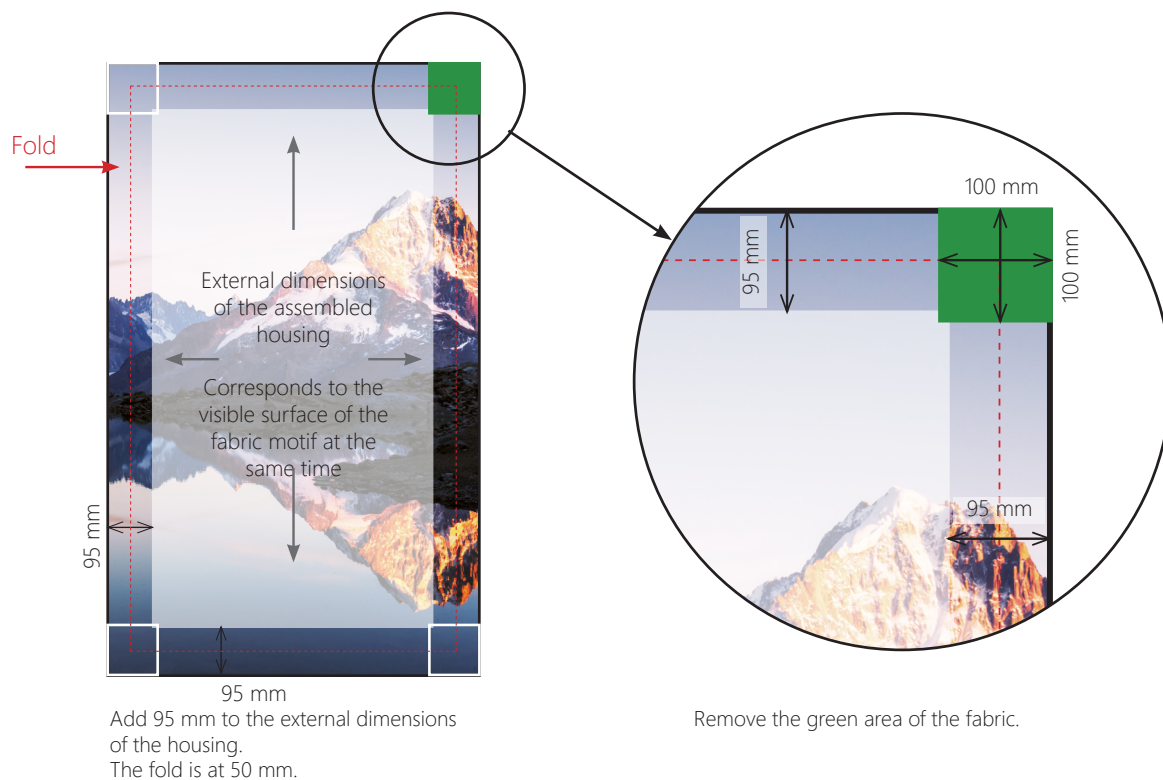


Optional attachment of the stiffening struts using the cross connector.

7 Fabric dimensions and manufacturing

Variant 1:

Fabric cut for inserting an aluminum keder or welding a hemstitch



When welding a hemstitch, the fold depends on the fabricator. Hemstitch needs to be sewn/glued for 6mm piping.

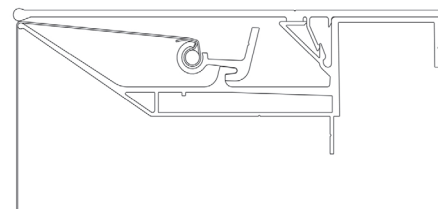
Variante 2:

Fabric cut for keder flap 7.5 mm, double flap
Fabric allowance: All around + 50 mm

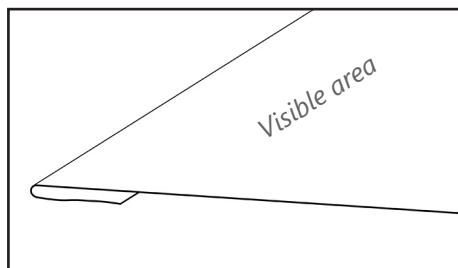
!!!Dimensions determined with screws in clamping block without any pretension!!!

Note:

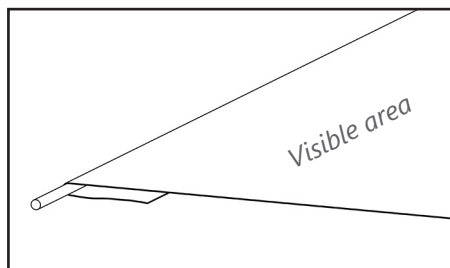
If the keder clamping profile is hooked in directly, +35 mm of additional fabric must also be taken into account on the side on which the keder clamping profile EPS 2-080 is hooked.



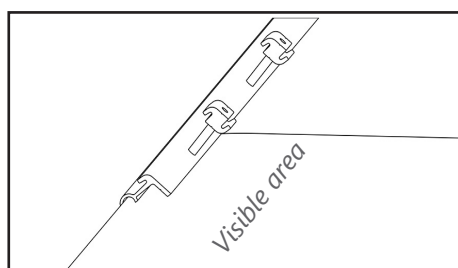
8 Tensioning the fabric
By using an aluminium keder



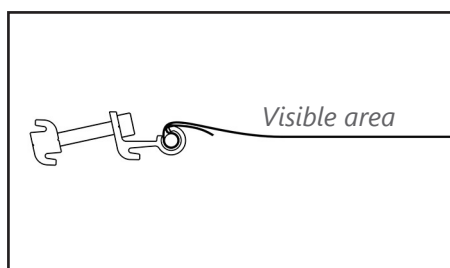
Step 1:
Fold the fabric at the fold line (50 mm) inwards. Visible area faces outward.



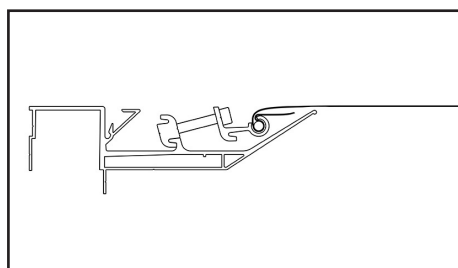
Step 2:
If necessary, fix the fold with adhesive tape. Slide keder (6mm) into hemstitch.



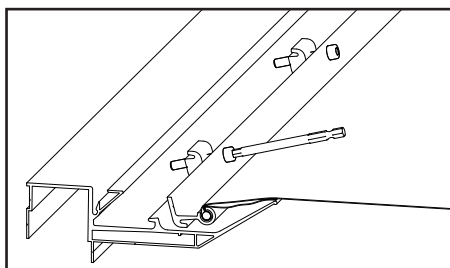
Step 3:
Push the keder clamping profile over the fold. Previously attached clamping screws and clamping blocks point in the direction of the visible area.



The old is clamped between the banner and the deflection lip of the keder clamping profile.



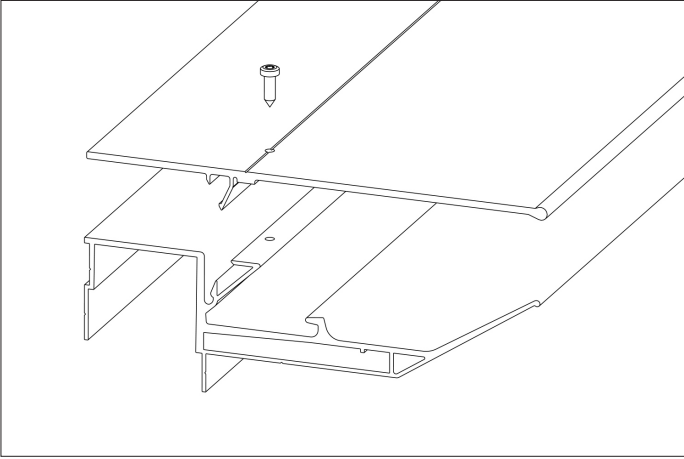
Step 4:
Turn the keder clamping profile so that the clamping blocks can be hooked onto the profile slot.
Fasten the keder clamping profile around the entire frame and, if necessary, pretension it by tightening the clamping screw by hand.
Position the keder clamping profile approx. 50 mm away from the miter.



Step 5:
Tighten the clamping screws all around with a cordless screwdriver and bring the banner to the desired tension.
When using a keder flap or a hemstitch, this tensioning process is identical.

Attention: Use a bit at least 89 mm long (EPS 2-090) for clamping with a cordless screwdriver.

9 Assembly of the cover profile



The cover profiles have to be screwed with main body profile!