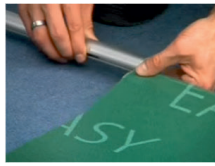


EPS 7-080 EASYQUICK

The wall bracket for quick and easy fittings without tools



Fitting of the wall mountings.



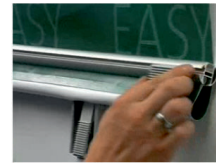
Insert the keder into the profile.



Insert the lock-in rail of the EASY-QUICK into the rear canal.



Insert the lock-in rail in the upper wall bracket and lock in place.



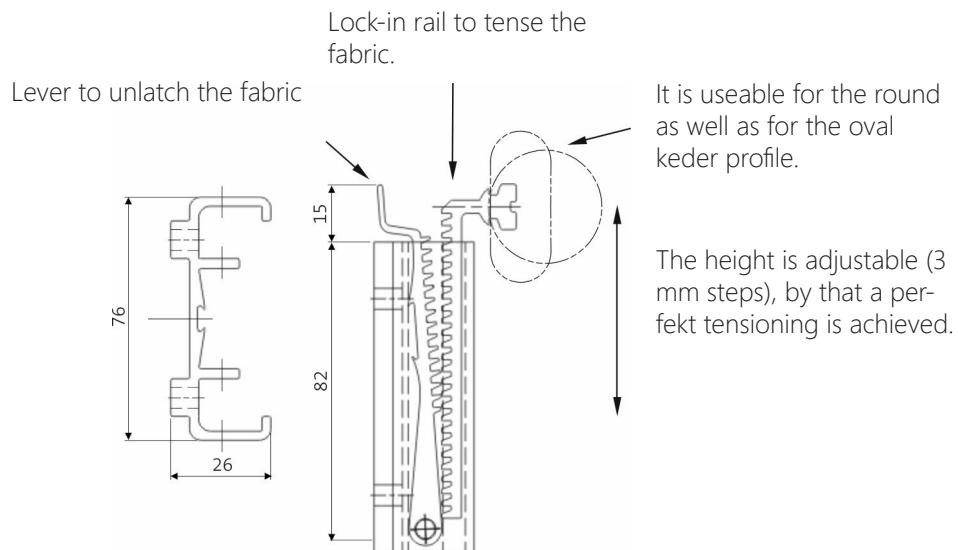
Insert the lock-in rail in the bottom keder profile and lock it in place, too.



By pressing the keder profiles up or down, the fabric is tensioned.

The perfect look of the banner is achieved by the hidden mounting and due to the patented lock-in mechanism, motif changes are possible without great effort. To release the fabric, only the lever of the locking has to be pulled and the profile unlatched.

By this fitting, areas like niches can be equipped completely with banners, because there's no need to grasp behind the fabric. Only space to unlatch the lever of the locking is necessary.



Front and back view of the wall bracket shown at the oval keder profile. The fitting at the round keder profile happens in the same way.



Hidden mounting of the EASYQUICK.