

# Fabric tensioning instruction

## TENSIONING THE FABRIC

The mounting and clamping of the fabric represents the final step in the system. Please follow the mounting instructions exactly on the following page and only use the tools recommended.

Caution: In order to tense the fabric, please always use a non-rebound plastic hammer.

## CHOICE OF THE CLAMPING BAR

The clamping bar CS is for the use in interior rooms, but also for the outdoor area. The standard colour is white (other colours are available).



## Grammage and temperatures for clamping

The grammage of the fabric to be used should be between 250 and 450 gr/m<sup>2</sup>.  
The temperature at the mounting should not be colder than 8° C.

## ASSEMBLING VIDEO

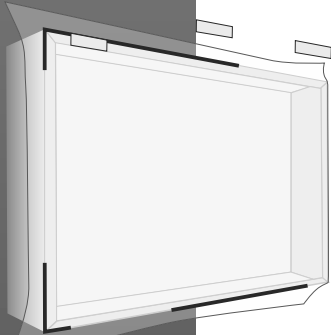
To assembly the fabric, we also recommend you to view our assembling video:



[www.eps-systems.de/en/profile-systems/epsredy/](http://www.eps-systems.de/en/profile-systems/epsredy/)

## ASSEMBLING VIDEO

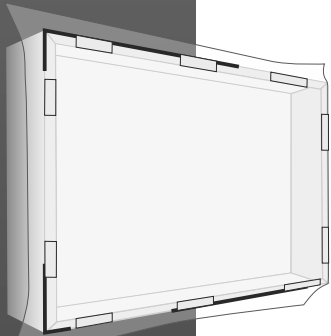
To assembly the fabric, we also recommend you to view our assembling video:  
<https://www.eps-systems.de/en/profile-systems/epsredy/>



### CUTTING AND ALIGNMENT OF FABRIC

The fabric must be 10 cm larger than the frame on all sides.

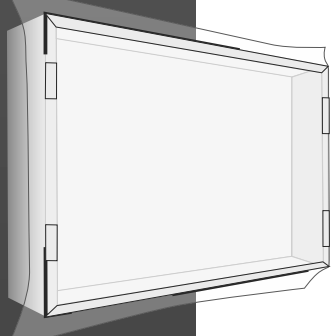
Place the clamping profile pieces for the positioning and pre-stretching first above, then below and finally on the sides. Carefully pull on the fabric while doing so.



### CLAMPING PROFILE SECTIONS

The profile sections are oddments with a length of approx. 6 to 10 cm.

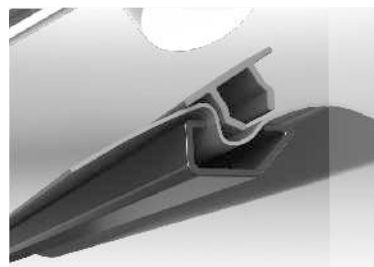
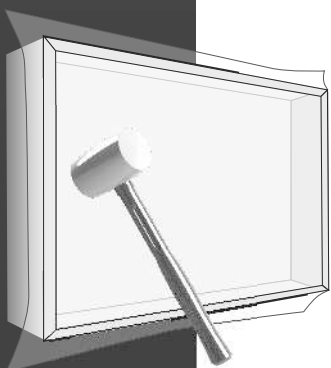
Clamping bar sections for pre-stretching: Item EPS 6-302, PU = 25 pieces



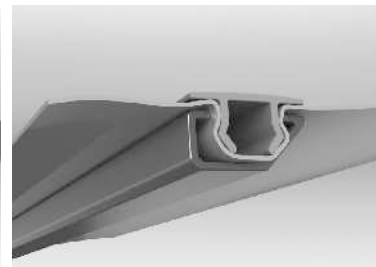
### ATTACHING THE CLAMPING BAR AND STRETCHING THE FABRIC

With the clamping bar attach and stretch the fabric. Observe the placement of the profile sections and remove these one by one.

Clamp the fabric by moving the bars first from the outside edge to the inner edge. Strike the clamping bar with the aid of the non-rebound plastic hammer into the profile groove and the fabric is stretched.



Slightly screw in clamping bar while stretching.



Strike clamping bar with plastic hammer.

### CUTTING OF THE FABRIC

When the fabric is stretched, it is cut along the clamping bar or in one of the profile grooves (for the two-sided stretched housing) depending on the type of fabric mounting.

# EPS

## SYSTEMS

EPS Systems KG  
Obere Leimbach 6  
57074 Siegen/Germany  
Fon +49 (0) 271.338829-00  
[info@eps-systems.de](mailto:info@eps-systems.de)  
[www.eps-systems.de](http://www.eps-systems.de)