

- Without ready-made fabric
- Uniform, linear clamping of the fabric
- Light system solution
- Simple assembly without special tools
- High clamping strength

EPS 6-045  
**KT+**  
Frames with KT+

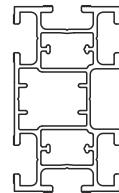


Dimensions:  
37 x 64 mm

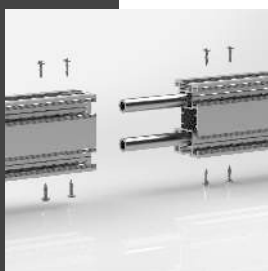
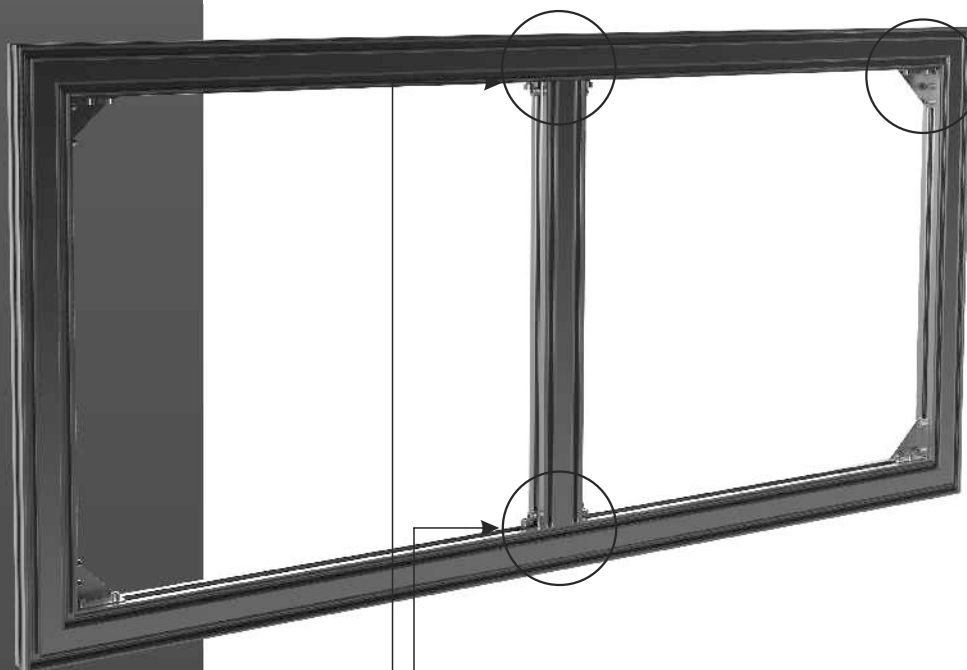
The self-supporting KT+ hollow profile is suitable for large scale frames. Through the six grooves, the structures created can be stretched on one or more-sided.

#### CUTTING

Our EPS.PROFIL PLUS cutting service saws your profiles upon request.



Profile mounted vertically



#### CORNERS

For the corner connection, two EQ ABS (6-214) corner joints are inserted in the profiles. Then an EQ KT+ MUR (6-220) corner reinforcement is inserted into the corner.

#### FRAME SUPPORTS

With self-supporting frameworks, frame supports are built in for reinforcement. The end of a frame support is screwed on the frame with two EQ KT+ (6-228) corner reinforcements.

#### BUTT JOINTS

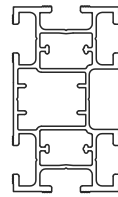
For the butt joint, two TU connecting pipes (6-156) are inserted into the profiles and fastened with 3.5 x 13 mm self-tapping screws.



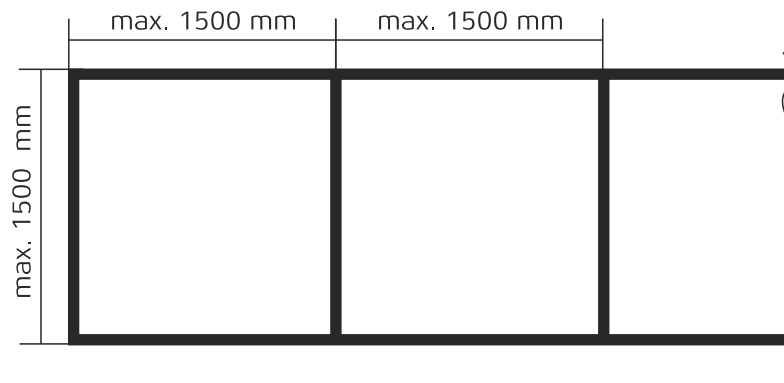
Dimensions:  
37 x 64 mm

In order to ensure the stability of the frame, frame supports are installed.

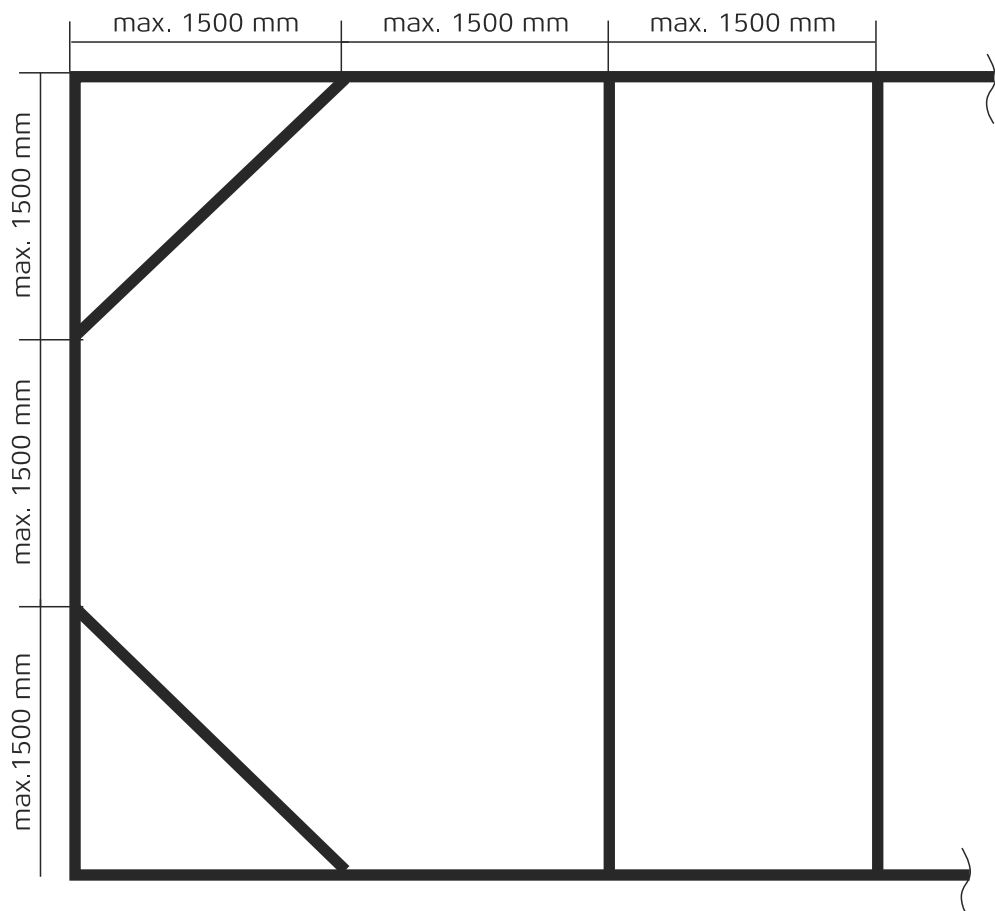
Distance of frame support without additional diagonal frame support



Profile mounted vertically



Distance of frame support with diagonal frame support

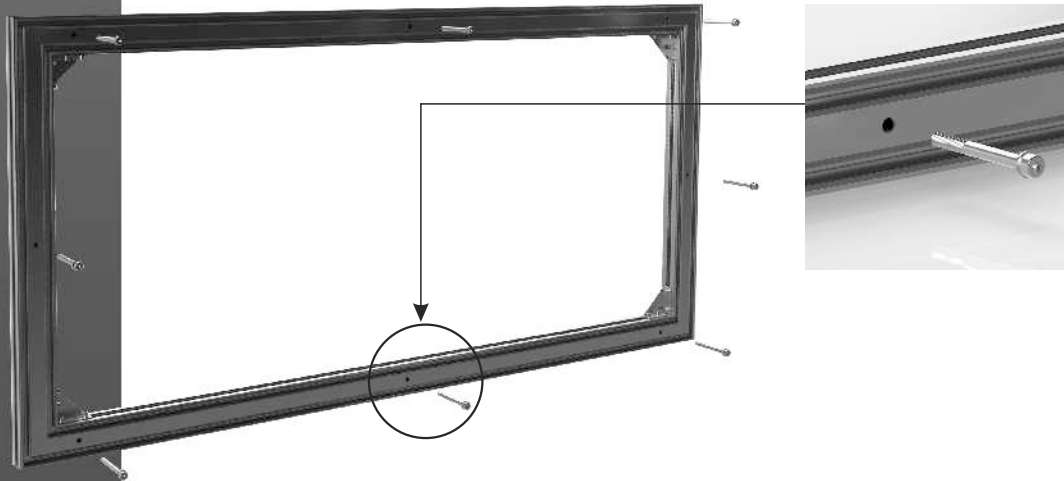




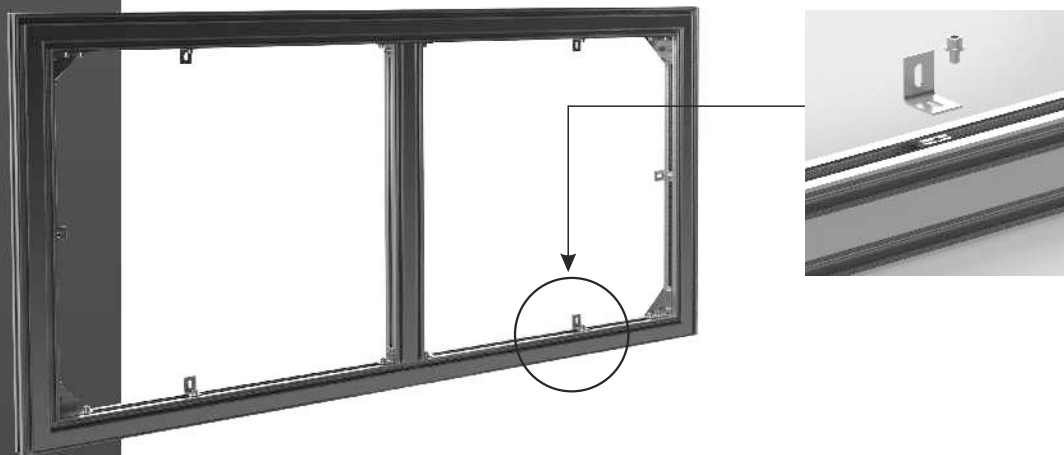
Dimensions:  
37 x 64 mm

With the KT+ profile, frames can be directly screwed onto the wall without reinforcement.

1. This variant is the simplest solution. The fastening is done directly through the profile force-fit onto the wall surface. Place the profile on the wall so that the screw head sits on the hollowed out profile side and does not interfere while stretching the fabric. In this installation, no additional frame supports are needed.



2. Mounting with EQ KT+ (6-228) corner reinforcements on the wall surface

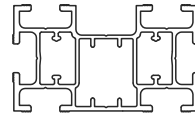


The choice of the screws and anchor bolts is dependent on the type of background. The positioner holds the responsibility for this.

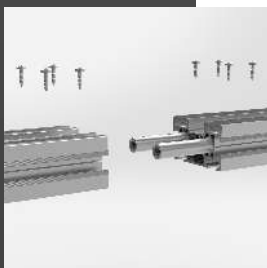
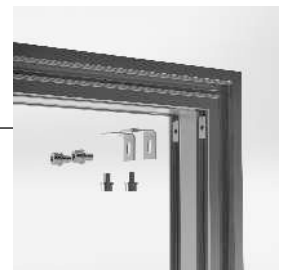
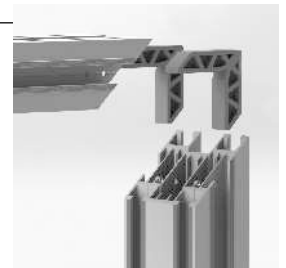
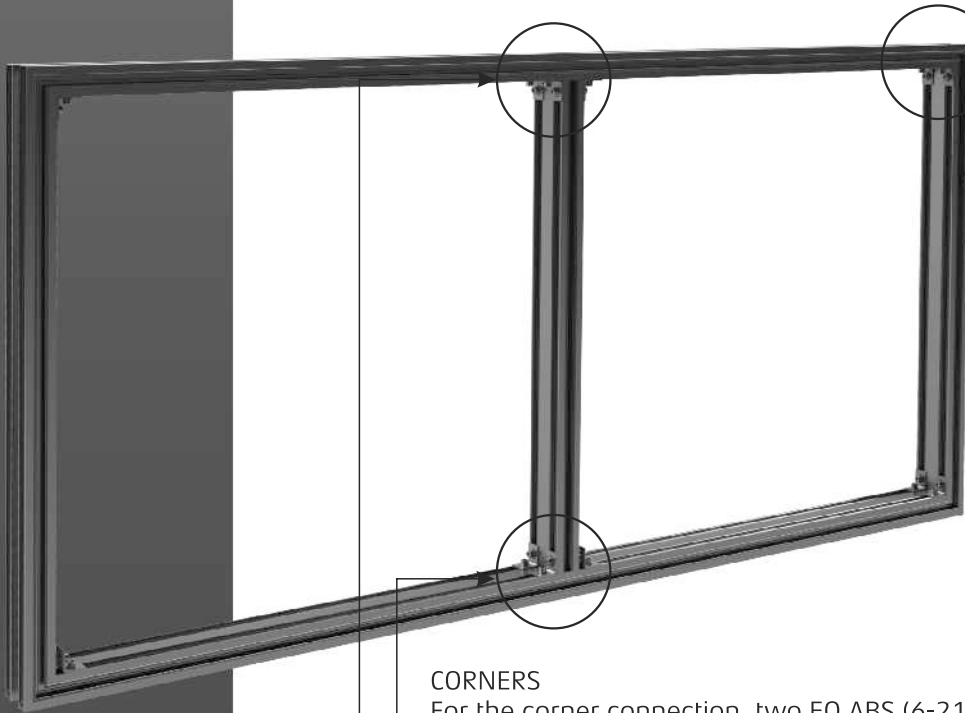


Dimensions:  
64 x 37 mm

When the KT+ profile is mounted horizontally, the frame can be constructed double-sided.



Profile mounted horizontally



### CORNERS

For the corner connection, two EQ ABS (6-214) corner joints are inserted in the profiles. Then two EQ KT+ (6-228) corner reinforcements are additionally inserted into the corners.

### FRAME SUPPORTS

With self-supporting frameworks, frame supports are built in for reinforcement. The end of a frame support is screwed on the frame with four EQ KT+ (6-228) corner reinforcements.

### BUTT JOINTS

For the butt joint, two TU connecting pipes (6-156) are inserted into the profiles and fastened with 3.5 x 13 mm self-tapping screws.



An example of a free-standing two-sided wall surface with individual do-it-yourself feet.



Dimensions:  
37 x 64 mm

With the KT+ profile, bowed frames and special forms can be made. Our EPS.PROFIL PLUS service saws and bends out profiles upon request with the most modern CNC technology.



## CORNERS

With the adjustable EQ ART KT+ (6-226) corner reinforcement, corners can be connected from 50° to 180°.



## CYRCLE

In horizontal position, the profile KT + can be CNC bent. In the standing position a deforma-tions isn't possible.



Dimensions:  
37 x 64 mm

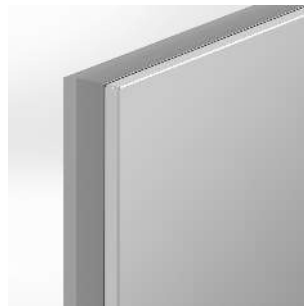
The KT+ profile offers differing possibilities for mounting the clamping bars and for a one or more-sided fabric clamping.

Profile mounted vertically



CLAMPING BARS FRONT

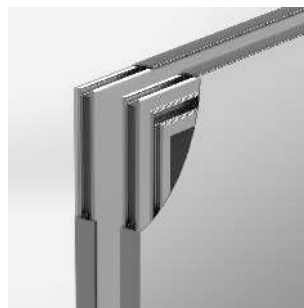
The attachment from the front is the classic method. A "framed" optical effect is created. For this, the clamping bars are cut at a 45° angle.



CLAMPING BARS LATERAL

With this type of attachment, a frameless look is created because the clamping bar can hardly be seen from the front. The clamping bars are cut to mitre.

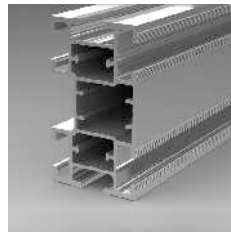
Profile mounted horizontally



TWO-SIDED

With KT+ profile, fabric can be clamped on two sides. In addition to the frontal clamping bar assembly, the lateral attachment offers the advantage that an almost complete covering of the profile is possible.

The assembly instructions with a video link for the attachment of the clamping bars can be found on pages 35 - 37.



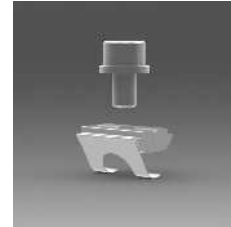
Profile KT+  
EPS 6-045



TU Joiner tube  
EPS 6-156



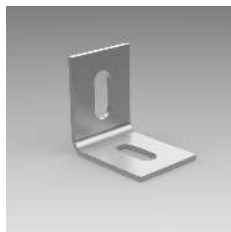
Clamping bars CS  
EPS 6-125



CLM M6  
T-Nut with  
screw and  
washer  
EPS 6-270



EQ ABS  
Corner angle  
EPS 6-214



EQ KT+ Corner  
reinforcement 90°  
EPS 6-228

(as a set including  
T-Nuts: EPS 6-274)



EQ KT+ adjustable  
Corner reinforcement  
EPS 6-226

(as a set including  
T-Nuts: EPS 6-278)



EQ KT+ MUR Corner  
reinforcement + Wall  
mounting EPS 6-220

(as a set including  
T-Nuts: EPS 6-276)