

The banner lift system for simple motif changes

EPS.LIFT



Benefits

- Customised large formats
- Quick, easy and inexpensive motif change without a working platform
- Simple design
- Windproof
- Optimum tension
- Simple installation

Classic applications:

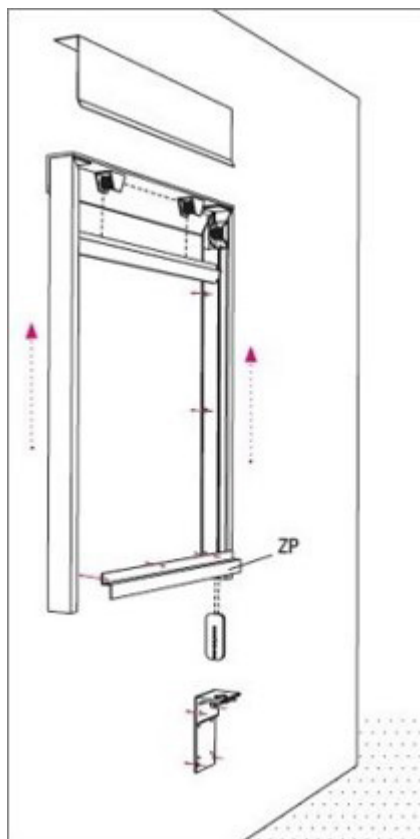
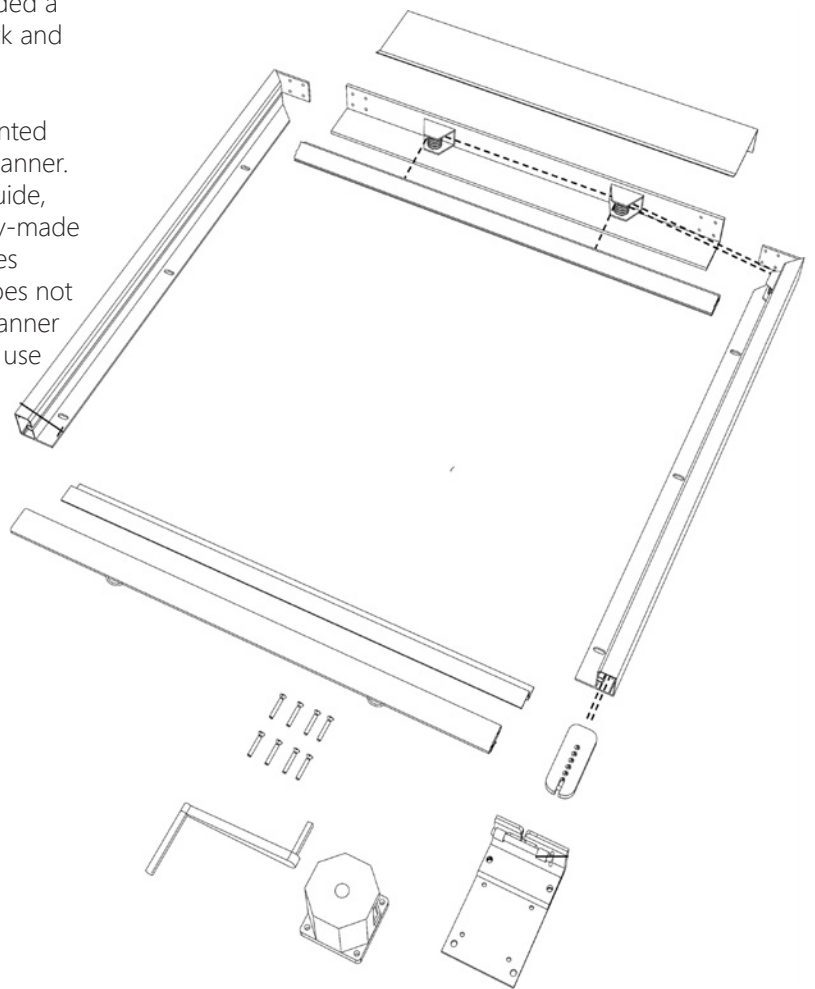
- Changing banners
- Large-scale outdoor advertising

Profile variety with system

New possibilities for quick motif changes

The name says it all - with EPS.LIFT, we have added a banner lift system to our product range for quick and easy motif changes.

Consisting of an anodised aluminium profile, printed PVC banners can be mounted in a windproof manner. This is made possible by the integrated keder guide, into which the banner is tensioned using a ready-made 10 mm keder. The integrated keder guide ensures extremely high wind resistance as the system does not require eyelets or hooks. From mesh fabric to banner tarpaulin - the sewn or welded keder allows the use of a wide variety of carrier materials.



EPS.LIFT is available in the premium version, which can be used to produce customised formats up to a width of 10 metres.

The internal technology protects it from environmental influences. The crank unit allows quick and easy motif changes, even for large formats. In addition, the crank handle of the crank unit, which is attached directly to the wall, can be removed to protect the system from unauthorised access.