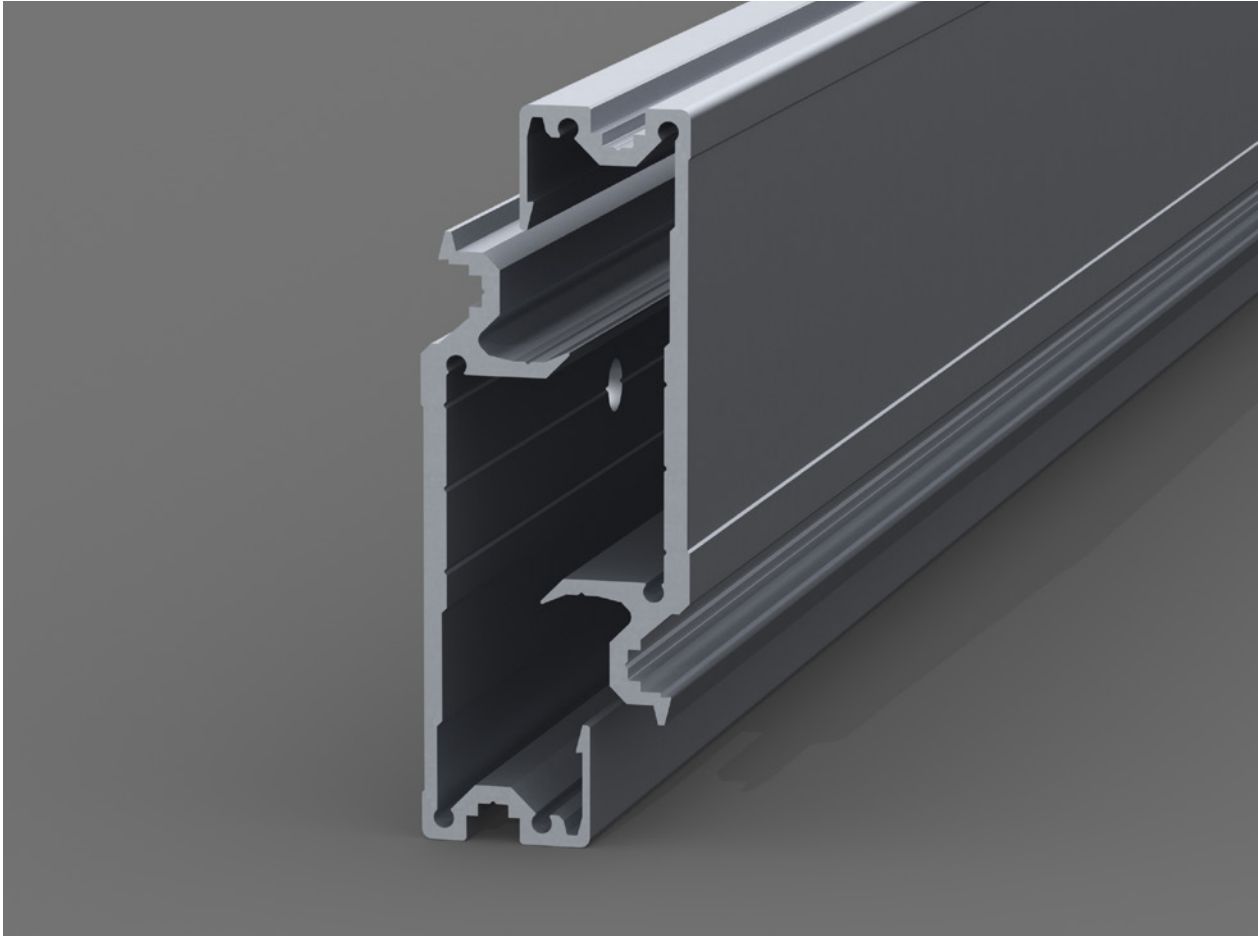


For illuminated sign cases and other advertising structure

Mounting rail



Benefits

- One profile for wall and frame
- Simple hanging of the clamping frame at the installation site
- Subsequent height adjustment of the clamping frame possible
- Automatic disengagement protection
- Versatile application, e.g. single letters, perimeter advertising, advertising signs, etc.

With our mounting rail, you can speed up the installation process on site, as most of the advertising system can be pre-assembled at the factory.

You mount part of the mounting rail on the mounting surface (e.g. concrete wall, brickwork). The counterpart, which consists of the same profile, is simply turned by 180° and attached to the advertising system (banner frame, illuminated banner, etc.).

The advertising system only needs to be hooked in.

Subsequent adjustment of the height is possible up to 10 mm. To prevent sideways movement, it is recommended to use intersecting drill screws in advance.

